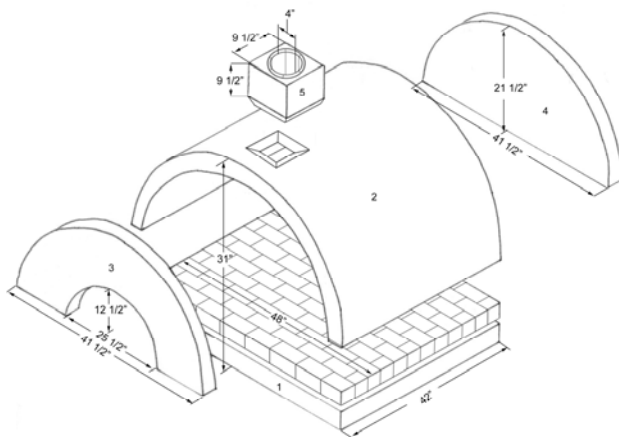




# Amerigo™ Pizza Oven

Stone Age Manufacturing introduces the Amerigo™ Pizza Oven, featuring a one-piece arched-roof, for simplified construction and optimal cooking performance. The Amerigo™ offers a larger cooking surface, with over 1500 square inches of floor area, solid 3-inch thick walls for plenty of thermal mass, a wider door and more traditional styling than previous designs.



## Stone Age Manufacturing, Inc.

11107 E. 126th St. North  
Collinsville, OK 74021  
[www.stoneagefireplaces.com](http://www.stoneagefireplaces.com)

Phone: (918) 371-8861  
Fax: (918) 371-8850  
E-mail: [stoneagemfg@sbcglobal.net](mailto:stoneagemfg@sbcglobal.net)